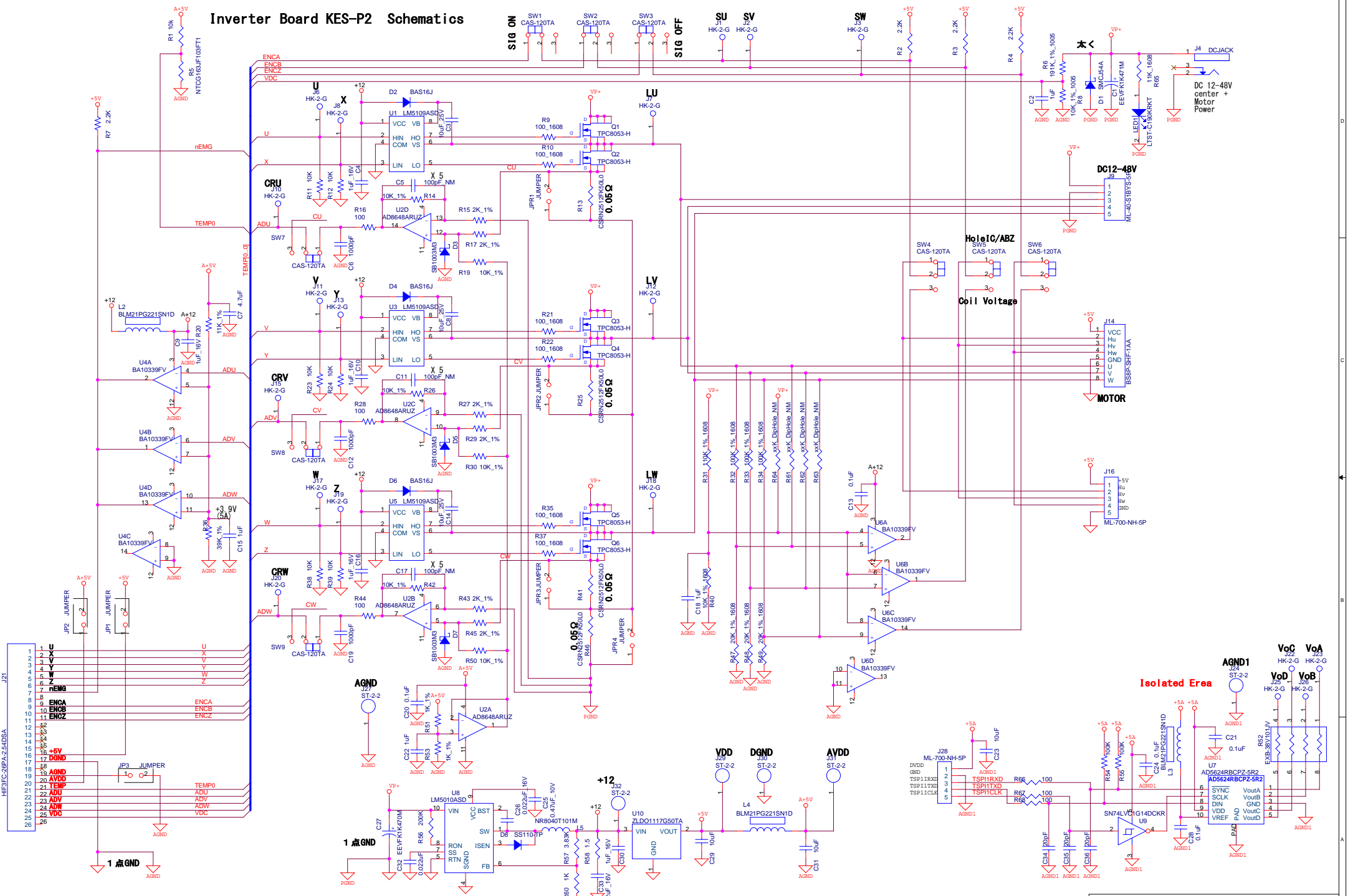


Inverter Board KES-P2 Schematics



Title		
Inverter Board KES-P2		
Size	Document Number	Rev
Custom	KES-P2	1.0
Date:	Monday, December 20, 2021	Sheet 1 of 1